

780nm Polarization Insensitive Optical Circulator

Features

- Low Insertion Loss
- High Return Loss
- High Stability & Reliability

Applications

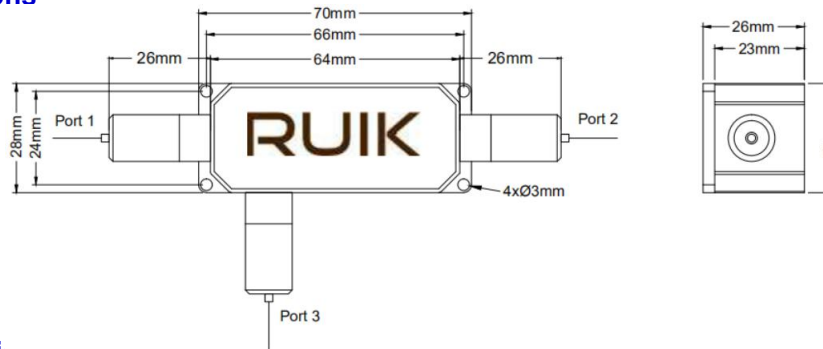
- Fiber Amplifier
- Testing Instrument
- Medical Equipment

Specifications

Parameters	Unit	Value
Center Wavelength	nm	780
Operating Wavelength Range	nm	±5
Typ. Peak Isolation	dB	25
Max. Isolation at 23°C	dB	22
Typ. Insertion Loss at 23°C	dB	1.3
Max. Insertion Loss at 23°C	dB	1.5
Max. Polarization Dependent Loss at 23°C	dB	0.15
Min. Return Loss (Input/ Output)	dB	45
Min. Cross Talk	dB	45
Max. Average Optical Power	W	20
Max. Peak Power for ns Pulse	kW	10
Max. Tensile Load	N	5
Package Dimension	mm	70x28x26
Operating Temperature	°C	+10~+50
Storage Temperature	°C	0~+60

With connectors, the handling power will be only 1W, IL is 0.3dB higher, RL is 5dB lower, and ER is 2dB lower. The default connector key is aligned to slow axis.

Package Dimensions



Ordering Information

HPICIR-111-23-444-56-7-888-99AA

111 - Wavelength:	780=780nm
2 - Port Type:	3=3-Port
3 - Working Axis:	N=Non-PM
4 - Fiber Type:	006=HI780, SSS=Specify
5 - Package Dimension:	0=70x28x26mm
6 - Pigtail Type:	0=bare fiber, 1=900µm loose tube
7 - Fiber Length:	0.75=0.75m, 1.0=1m, S=Specify
888 - Connector Type:	0=FC/UPC, 1=FC/APC, 2=SC/UPC, 3=SC/APC, N=None, S=Specify
99 - Average Power:	00=500mW, 05=5W, 10=10W, 20=20W, SS=Specify
AA - Peak Power:	00=Continuous Wave, 10=10kW, 20=20kW